

# HS-108-IN Indoor-housing



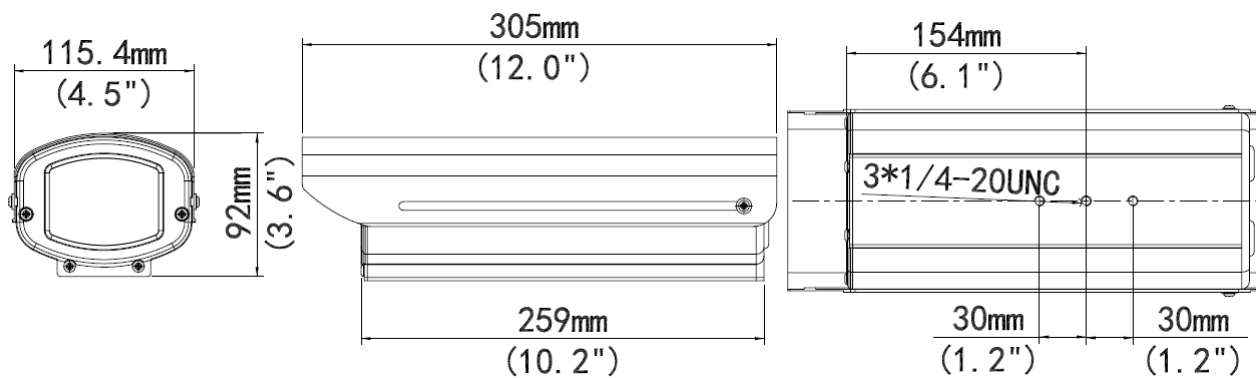
## Key Features

- Anti-corrosive aluminum alloy with solidity and durability
- Easy and flexible installation

## Specifications

Housing	HS-108-IN
Application	Indoor
Operating Condition	-20°C ~ 50°C (-4°F ~ 122°F) Humidity ≤ 90% RH(non-condensing)
Dimensions (L × W × H)	Outside: 305×115.4×92mm (12.0"×4.5"×3.6") Inside: 245×95×75mm (9.6"×3.7"×3.0")
Weight	0.8 kg (1.8lb)
Material	Shell: aluminum alloy Front and rear lids: plastic ABS

## Dimensions



## Accessories

Installation mode	Accessories	Description
Pendant mount	TR-CM06-IN	/
Wall mount	Indoor:TR-WM06-A-IN	/

**Zhejiang Uniview Technologies Co.,Ltd.**

South Tower, Building 10, Wanlun Science Park, 88 Jiangling Road, Hangzhou, P.R.China 310051

Email: [overseasbusiness@uniview.com](mailto:overseasbusiness@uniview.com); [globalsupport@uniview.com](mailto:globalsupport@uniview.com)

<http://www.uniview.com>

©2015 Zhejiang Uniview Technologies Co.,Ltd. All rights reserved.

\*Product specifications and availability are subject to change without notice.